

01155

**DIPLOMA IN ELECTRICAL AND  
MECHANICAL ENGINEERING**

**Term-End Examination**

**June, 2010**

**BME-034 : MACHINE DRAWING**

*Time : 2 hours*

*Maximum Marks : 70*

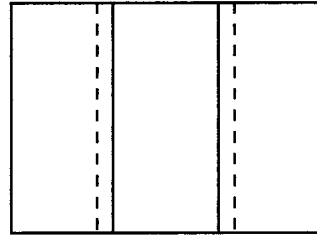
---

*Note : Answer all questions.*

---

1. Answer *any seven* of the following questions :  $7 \times 2 = 14$
- (a) Differentiate between First angle projection and third angle projection.
  - (b) Write any four types of lines used in drawings and mention their applications.
  - (c) Name the planes of projections with the help of a sketch.
  - (d) \_\_\_\_\_ and \_\_\_\_\_ are the two types of Bearings generally used.
  - (e) Write the types of sections used in Drawings to show the internal details of a part.
  - (f) Draw a rivet and mention the standard dimensions with respect to diameter 'd'.

- (g) Draw the possible Front and side view for the plan shown below.



- (h) Sketch an Eye bolt.
- (i) Draw the schematic diagram of internal thread.

2. A Flange of 200 mm diameter and 25 mm thickness with 75 mm hub outer diameter is connected to a shaft of 40 mm diameter through a square key of 12 mm side. The hub length is 80 mm. Draw Elevation with upper half in section and side view in full. 20

OR

Two plates of 12 mm thickness are joined by single riveted Lap Joint. 20 mm diameter rivet is used. Draw the front view and plan with minimum three rivets in a row.

3. A bush type Journal bearing is shown in figure.1. 36  
 Draw Elevation with right half in section and side view with left half in section.

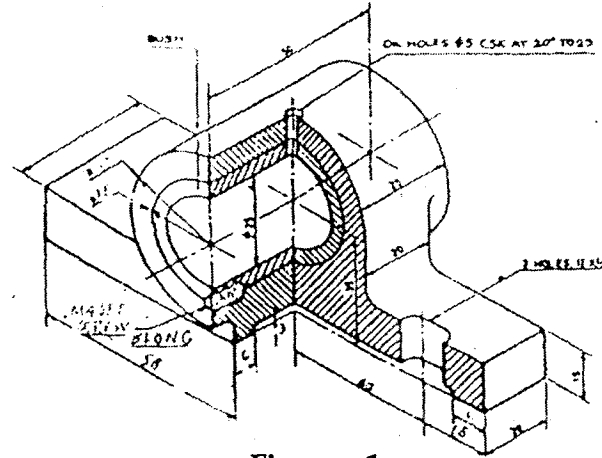


Figure - 1

OR

The three parts of socket and spigot cotter joint are shown in fig.2. Assemble the parts and draw Elevation in Full section and side view.

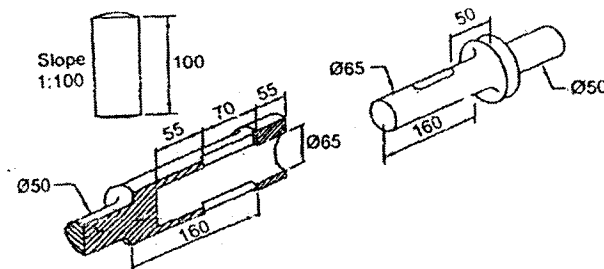


Figure 2: Cotter, Socket and Spigot