

03055

**DIPLOMA IN ELECTRICAL AND MECHANICAL ENGINEERING**

**Term-End Examination**

**December, 2010**

**BME-034 : MACHINE DRAWING**

*Time : 2 hours*

*Maximum Marks : 70*

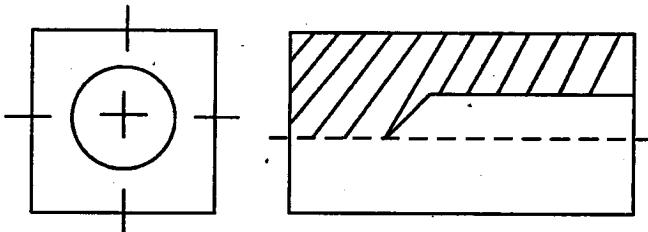
---

**Note :** Answer all questions.

---

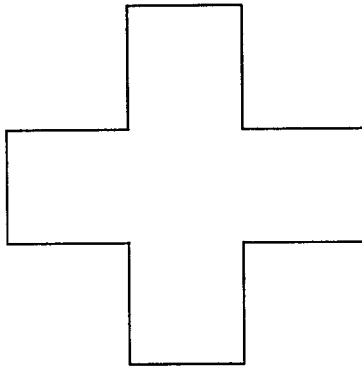
1. Answer any seven of the following questions very Briefly : 7x2=14

- (a) Name any four types of machine drawing
- (b) What do you understand from the figure given below ?



- (c) The Theoretical depth 'H' is related to pitch 'P' as \_\_\_\_\_ in a metric screw thread.

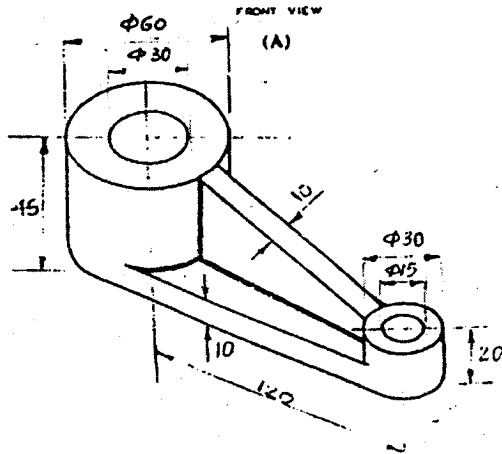
- (d) Name any four types of Rivet heads.
- (e) Sketch a Gib headed key
- (f) With the help of a figure show the arrangement of dimensions in drawings. Name it.
- (g) Draw the possible front view for the plan of a machine part shown below.



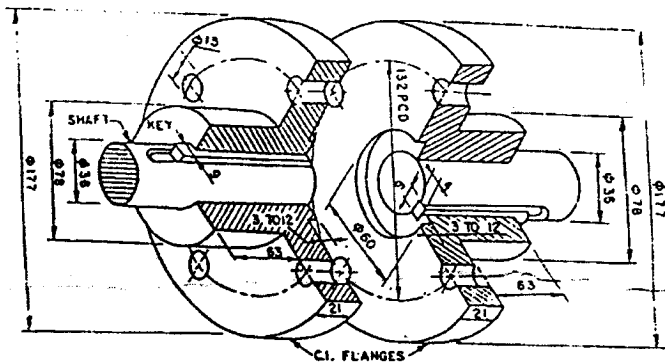
- (h) Mention the sizes of drawing sheets used.
  - (i) With the help of a simple sketch show the different planes of projections.
2. Two 10mm thick plates are bolted by passing 12mm major diameter hexagonal headed bolt through 13mm diameter hole. Nut is tightened at the top. Draw the dimensioned front view and top view of the joint. 20

**OR**

The isometric view of a lever is given below. Draw the front view in section and plan in full.



3. Figure below shows two Hanges on two perfectly co axial shafts. Align holes and assemble the Hanges and draw elevation and side view. 36



OR

A Flange type cast iron steam pipe is shown below.  
Draw the elevation with lower part full and side view.

