

01257

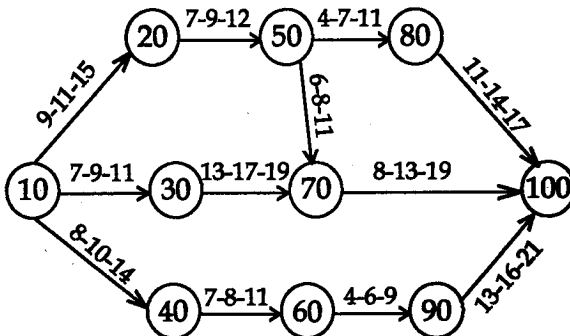
**B.Tech. Civil (Construction Management) /  
B.Tech. Civil (Water Resources Engineering)**

**Term-End Examination**  
**December, 2010**

**ET-524(B) : CONSTRUCTION MANAGEMENT-I***Time : 3 hours**Maximum Marks : 70*

*Note : Answer any five questions. All questions carry equal marks.*

1. Explain the Line Of Balance (LOB) Technique for scheduling repetitive works with the help of logic diagram of unit work cycle. 14
  
2. In the given figure, the optimistic, most likely and the pessimistic times are given for each activity. 14  
If 10 and 100 are start and the end events respectively, find the critical path through the network.



3. Explain *any five* methods of charging depreciation. 14
4. (a) What does the conditions of contract means ? Give any three typical contract conditions of CPWD. 6+8=14  
(b) What does 'FIDIC' stands for ? List out any eight contents of part - I of "General Conditions" of FIDIC.
5. List out the safety measures to be taken while demolishing the following : 7x2=14  
(a) RCC columns  
(b) RCC walls  
(c) Chimney and Cooling towers  
(d) Cantilevers  
(e) Roof Trusses  
(f) Buried Structures  
(g) Heavy Floor Beams
6. What precautions will you take in storage of the following materials : 7x2=14  
(a) Cement  
(b) Lime  
(c) Timber  
(d) Steel  
(e) Flyash  
(f) Boards  
(g) Pipes and conducting materials
7. Explain the Time Value of money concept ? What do you understand by the following ? 3x4+2=14  
(a) Net Present Value  
(b) Internal Rate of Return  
(c) Pay Back Period Method