

**B.TECH. (AEROSPACE ENGINEERING)  
(BTAE)**

**Term-End Examination**

**December, 2010**

**BAS-005 : ENGINEERING DRAWING**

*Time : 3 hours*

*Maximum Marks : 70*

---

*Note : Attempt any five questions. All questions carry equal marks. Assume any missing data suitably.*

---

1. Draw exterior and interior tangents to two circles of unequal radii. 14
2. Draw a regular hexagon of side 30 mm. Draw a circle passing through all corners of hexagon. 14
3. A cone of base diameter of 40 mm and height 60 mm rests with its base on H.P. It is cut by a plane passing through middle of the axis, making an angle of  $45^\circ$  with HP and perpendicular to V.P. Develop the cone surface. 14
4. An ellipse has the major axis and minor axis in the ratio of 3 : 2. Draw the ellipse when the major axis is 120 mm. Draw a tangent and a normal at any point P on it. 14

5. Figure - 1 shows certain machine block. Draw front and top views. 14

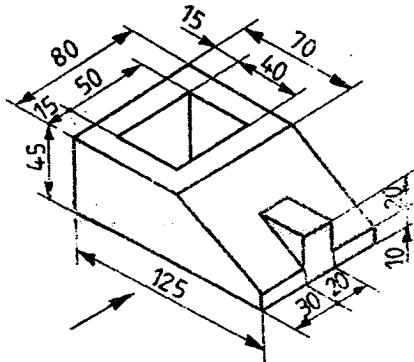


Figure -1

6. A circular plate of 60 mm diameter, has a hexagonal hole of 20 mm side, centrally punched. Draw the projections of the plate, resting on H.P. On a point, with its surface inclined at  $30^\circ$  to HP. Any two parallel sides of the hexagonal hole are perpendicular to V.P. Draw the projections of the plate. 14
7. Draw the development of a cylinder of 50 mm diameter and 75 mm height, containing a square hole of 25 mm side. The sides of the hole are equally inclined to the base and the axis of the hole bisects the axis of the cylinder. 14

8. Figure - 2 shows isometric views of certain objects. 14  
Draw the free-hand sketches of the orthographic views.  
views.

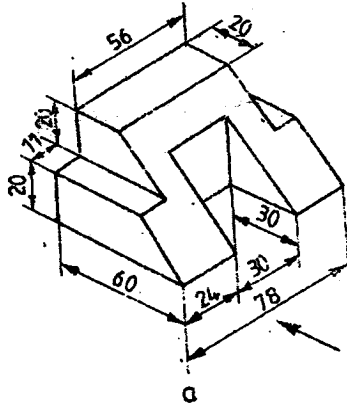


Figure - 2