

**BACHELOR OF COMPUTER APPLICATIONS (Pre-revised)
(BCA)**

Term-End Practical Examination

00385

June, 2017

CS-68(P)/S3 : COMPUTER NETWORKS

Time : 1 Hour

Maximum Marks : 30

(Weightage : 15)

Note : (i) All questions are **compulsory**, carrying 20 marks.

(ii) The rest 10 marks are for *viva-voce*.

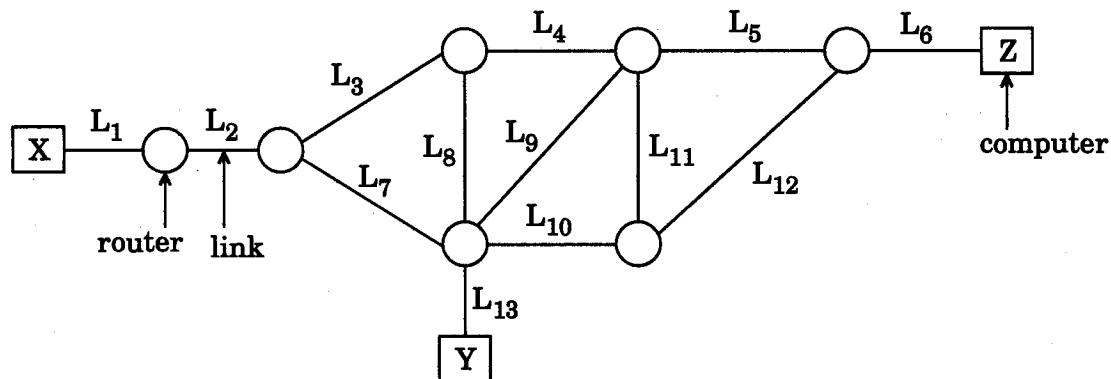
1. Sketch the following :

An office has a 3-floor building. Each floor has six computers connected to an ethernet segment (wiring). All the three ethernet segments are connected vertically through repeaters.

Also write the use of a repeater in this diagram.

5

2. A typical WAN is shown below :



Show all the links between

(a) X and Z computers,

(b) Y and Z computers.

15