

BACHELOR IN COMPUTER APPLICATIONS (BCA)

Term-End Practical Examination

June, 2014

00802

CS-68(P) : COMPUTER NETWORKS

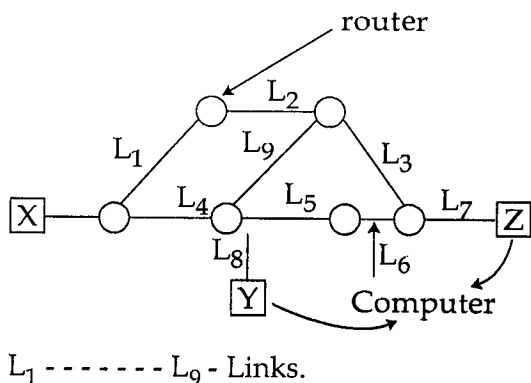
Time allowed : 1 hour

Maximum Marks : 30
(Weightage : 15%)

Note : (i) All questions are compulsory carrying 20 marks.
(ii) 10 marks are for viva-voce.

1. Draw a hybrid topology having a bus backbone with three ring networks. 5

2. What are all the paths from a computer : 10
 - (a) X to Z
 - (b) X to Y



3. How can you change IP address of your machine ? Write all the steps. 5

BACHELOR IN COMPUTER APPLICATIONS (BCA)

Term-End Practical Examination

June, 2014

00407

CS-68(P) : COMPUTER NETWORKS

Time allowed : 1 hour

*Maximum Marks : 30
(Weightage : 15%)*

Note : (i) *All questions are compulsory carrying 20 marks.*
(ii) *10 marks are for viva-voce.*

1. (a) Write all the steps for file sharing and access a network printer on your machine. 10
(b) Write the specification of hubs used in the networking of the Lab. 5

 2. Draw a fully connected four node networks. How many links are their ? 5
-

BACHELOR IN COMPUTER APPLICATIONS (BCA)

Term-End Practical Examination

June, 2014

00677

CS-68(P) : COMPUTER NETWORKS

Time allowed : 1 hour

*Maximum Marks : 30
(Weightage : 15%)*

Note : (i) *All questions are compulsory carrying 20 marks.*
(ii) *10 marks are for viva-voce.*

1. (a) Draw a heterogenous network made of four WANs and two LANs. 5
(b) Draw a hybrid topology having a star backbone and three ring networks. 5

2. Sketch the ethernet wiring of your program centre showing connector. UTP cable, Hub, computers and various segments. 10

BACHELOR IN COMPUTER APPLICATIONS (BCA)

Term-End Practical Examination

June, 2014

00654

CS-68(P) : COMPUTER NETWORKS

Time allowed : 1 hour

Maximum Marks : 30
(Weightage : 15%)

Note : (i) All questions are compulsory carrying 20 marks.
(ii) 10 marks are for viva-voce.

1. Explain the followings : 5
 - (a) RJ-45
 - (b) Category 3, 4 or 5 UTP

2. (a) How can we access data from another computer ? Show it and write all steps ? 5
(b) Which class of IP address your machine belongs to.

3. What are all the paths from a computer : 10
 - (a) A to B
 - (b) A to C

