

**DIPLOMA IN MECHANICAL ENGINEERING (DME) / ADVANCED LEVEL
CERTIFICATE COURSE IN MECHANICAL ENGINEERING
(DMEVI / ACMEVI)**

Term-End Examination

December, 2017

00244

BME-034 : MACHINE DRAWING

Time : 2 hours

Maximum Marks : 70

Note : Answer *all* questions. Use of calculator is allowed. Assume missing data, if any.

1. Answer any *seven* of the following questions :

7×2=14

- (a) Define Pitch of Thread.
- (b) What is meant by Stud ?
- (c) Draw the conventional representation of a leaf spring with eyes.
- (d) Draw the material symbols of steel and wood.
- (e) Draw the conventional representation of holes on circular pitch.
- (f) Draw the Cutting Plane lines and Long Break Lines.
- (g) Sketch two types of keys used in couplings.
- (h) Name four types of thread profiles.
- (i) Draw a bolt, nut and washer with appropriate dimensions.

2. Figure 1 below shows the isometric view of an object. Draw the front view and top view of the given diagram.

28

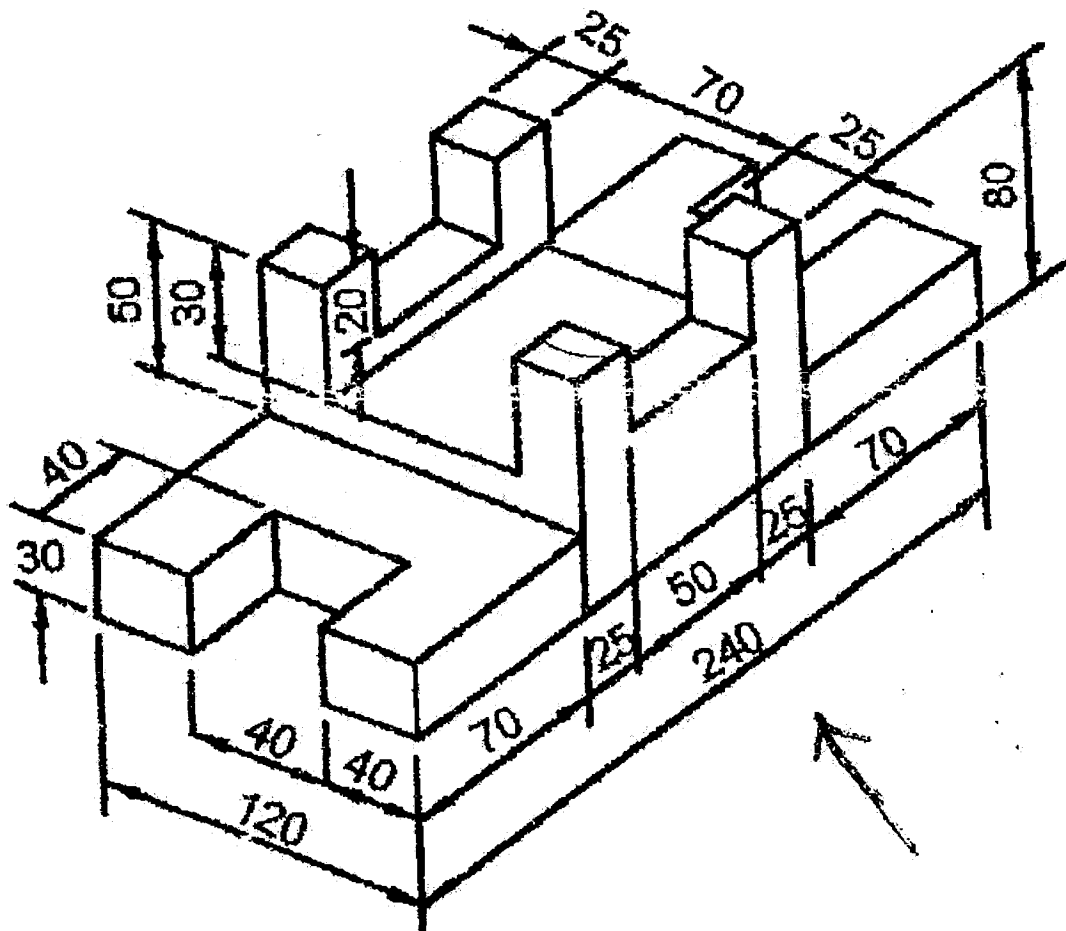


Figure 1

3. Two 16 mm thick plates are joined in a zigzag riveted lap joint with the following dimensions :

Diameter of hole = 21 mm, Pitch = 63 mm, Back pitch = 50 mm, Margin = 31 mm

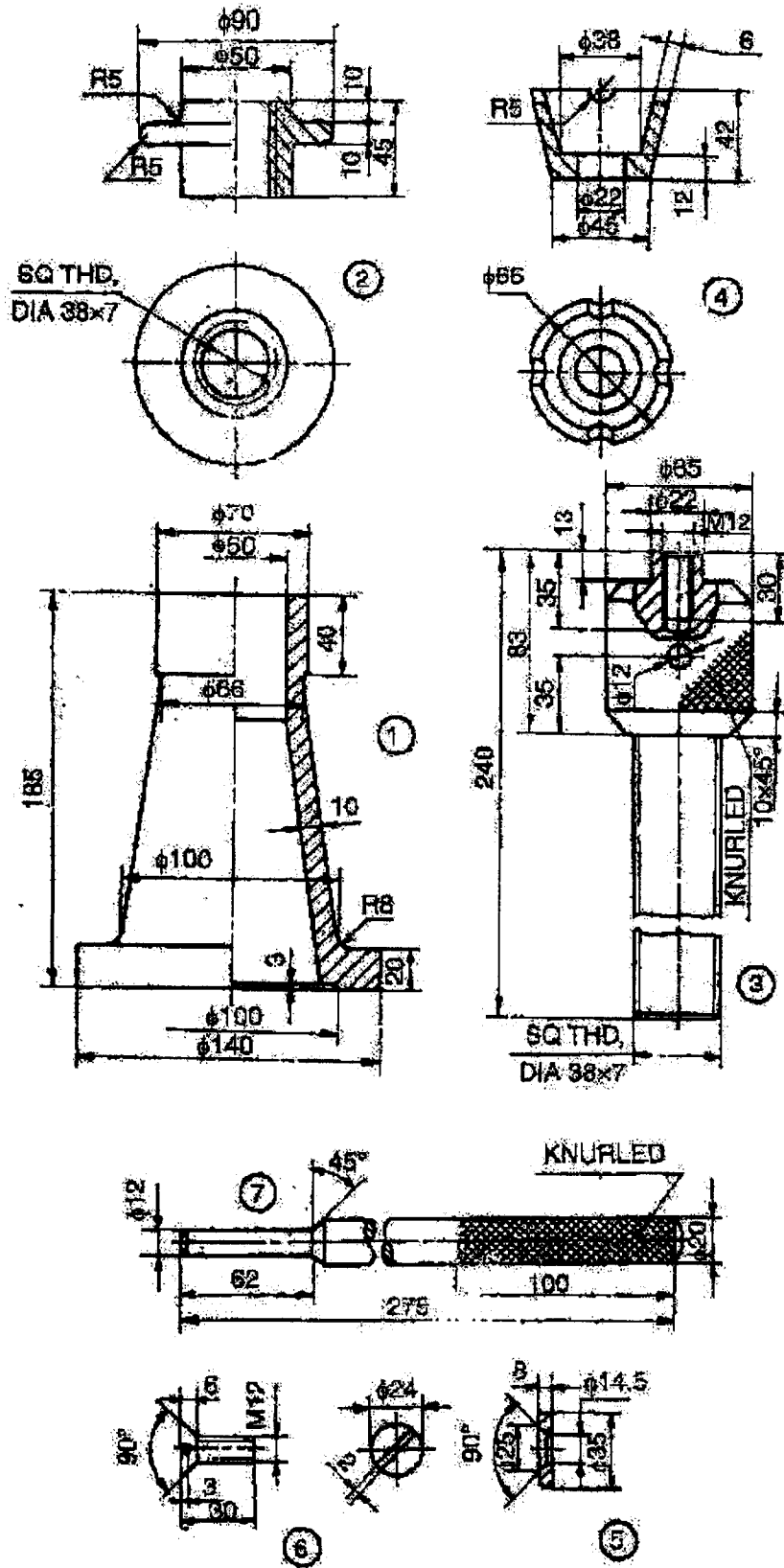
Draw the sectional front view and top view of the joint.

28

OR

Draw the assembled front and top view of the Screw Jack shown in Figure 2.

28



Parts List

No.	Name	Matl	Qty
1	Body	CI	1
2	Nut	GM	1
3	Screw	MS	1
4	Cup	CS	1
5	Washer	MS	1
6	Screw	MS	1
7	Tommy bar	MS	1

Figure 2
