

**BACHELOR OF ARCHITECTURE (B.Arch.)**

**Term-End Examination**

00442

**December, 2017**

**BAR-073 : PROJECT MANAGEMENT**

*Time : 3 hours*

*Maximum Marks : 70*

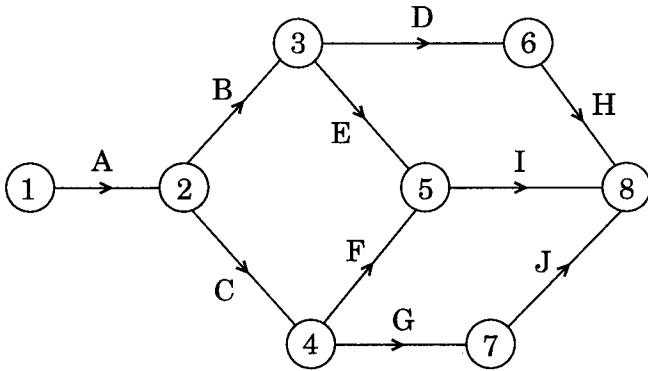
---

**Note :** *Question no. 1 is compulsory. Attempt any four from the remaining questions. All questions carry equal marks.*

---

1. Write short notes on any **four** of the following :  $4 \times 3 \frac{1}{2} = 14$
- (a) Energy Model
  - (b) Project Finance
  - (c) Life Cycle Costing
  - (d) Site Layout
  - (e) Feasibility Study
  - (f) Rate of Interest

2.



For the network given above, the estimated duration for activities A – J have been listed below :

<i>Activity</i>	<i>Estimated Duration</i>
A	5
B	2
C	6
D	4
E	4
F	2
G	3
H	8
I	7
J	2

(a) Compute :

- (i) Event times 3
- (ii) Activity times 3
- (iii) Total float 3

(b) Determine the critical path. 5

3. Write a short essay on Project Cost Control Monitoring. 14
  4. Define Value Engineering. What are the basic steps involved in Value Analysis Job Plan ? 14
  5. At what stage/s of construction is site investigation necessary ? How is this investigation carried out ? 14
  6. Explain how to write a construction project report at different stages of construction. 14
  7. Discuss the safety issues in Indian construction sectors. Also write the methods to improve the scenario. 14
-