

**B.Tech. AEROSPACE ENGINEERING
(BTAE)****Term-End Examination****December, 2017****BAS-005 : ENGINEERING DRAWING***Time : 3 hours**Maximum Marks : 70*

*Note : (i) Attempt any five questions.
(ii) All questions carry equal marks.*

1. A line AB, 75 mm long has one of its ends 50 mm in front of V.P. and 15 mm above H.P. The top view of the line is 50 mm long. The other end is 15 mm in front of V.P. and is above H.P. Draw the views and determine the true inclinations. 14
2. A sphere of 60 mm diameter is placed centrally on the top of a frustrum of square pyramid. The base of the frustrum is 60 mm square and top is 40 mm square. Its height is 50 mm. Draw the isometric projection of the arrangement. 14
3. A cylinder of 45 mm diameter and 62 mm height and having its axis vertical is cut by a section plane perpendicular to V.P. and inclined at 45° to H.P. and intersecting the axis 32 mm above the base. Draw its front view, sectional top view and true shape of the section. 14

4. The foci of an ellipse are 90 mm apart and minor axis is 65 mm. Draw the Ellipse. 14
5. Draw Elevation, plan and side view in First Angle projection for Figure 1. 14

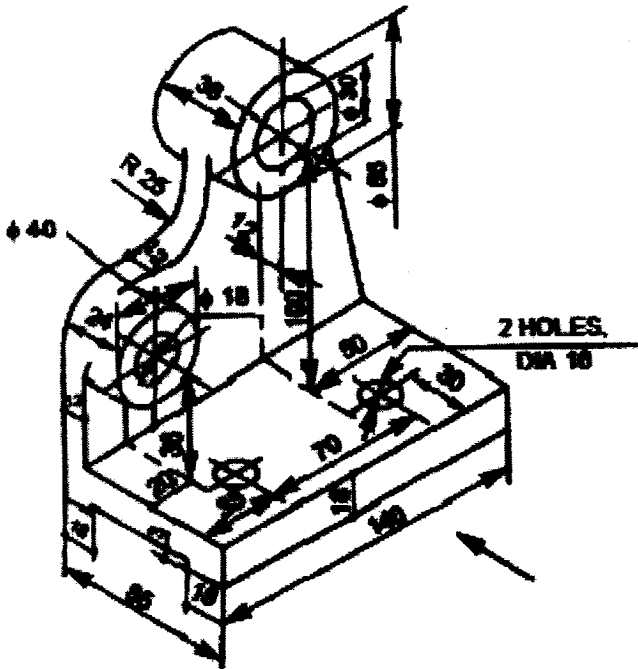


Figure 1.

6. (a) Sketch the following locking arrangements : 6
- (i) Split Pin
 - (ii) Castle Nut
 - (iii) Spring Washer
- (b) Sketch any two types of thread profile. 8