

**B.Tech. MECHANICAL ENGINEERING
(BTMEVI)**

Term-End Examination

December, 2013

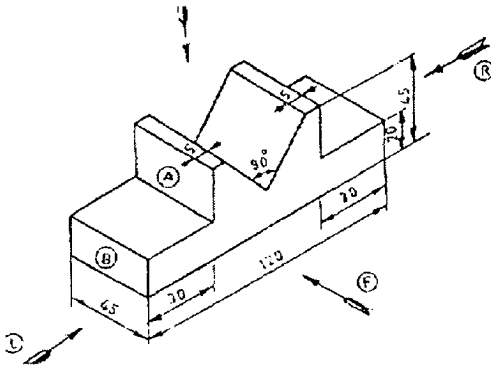
BIME-003 : MACHINE DRAWING

Time : 3 Hours

Maximum Marks : 70

Note : Q. 9 is compulsory. Attempt any four questions remaining (Q. 1 to Q. 8).

1. Give the description and uses of various lines. 10
2. Draw the front view, top view and the left hand side view of the object given below. 10



3. Draw any one locking arrangement for the nuts. 10
4. Draw any four types of keys. 10

5. Draw front view of Rigid coupling used to connect two shafts of 250 mm diameter. 10
6. Draw top view and sectional front view of a single riveted butt joint. The thickness of the plate is 10 mm. 10
7. Draw conventional representation of bevel gear assembly. 10
8. Write down the commands for drawing a rectangle with diagonal point (50,50) and (160,100) in AutoCAD. 10
9. Details of stuffing box are given below. Draw the front view full in section for the assembly. 30

