

B.Tech. AEROSPACE ENGINEERING

(BTAE)

Term-End Examination

00361

June, 2015

BAS-005 : ENGINEERING DRAWING

Time : 3 hours

Maximum Marks : 70

Note : Attempt any five questions. All questions carry equal marks. Assume any missing data suitably. All dimensions are in mm.

1. (a) Draw Square, Acme and Buttress threads showing major diameter, core diameter and pitch. Use major dia = 65, core dia = 55 and pitch = 10.
- (b) Draw the elevation of a hexagonal nut. 7+7

2. An ellipse has major axis of 61 mm and minor axis of 46 mm. Draw the ellipse using concentric circle method. Use at least 12 divisions of angle at the centre of the concentric circles. 14

3. Draw the involute of the circle of 42 mm diameter.

14

4. Figure 1 shows pictorial view of the bracket. Draw front view and top view of this bracket by third angle method.

14

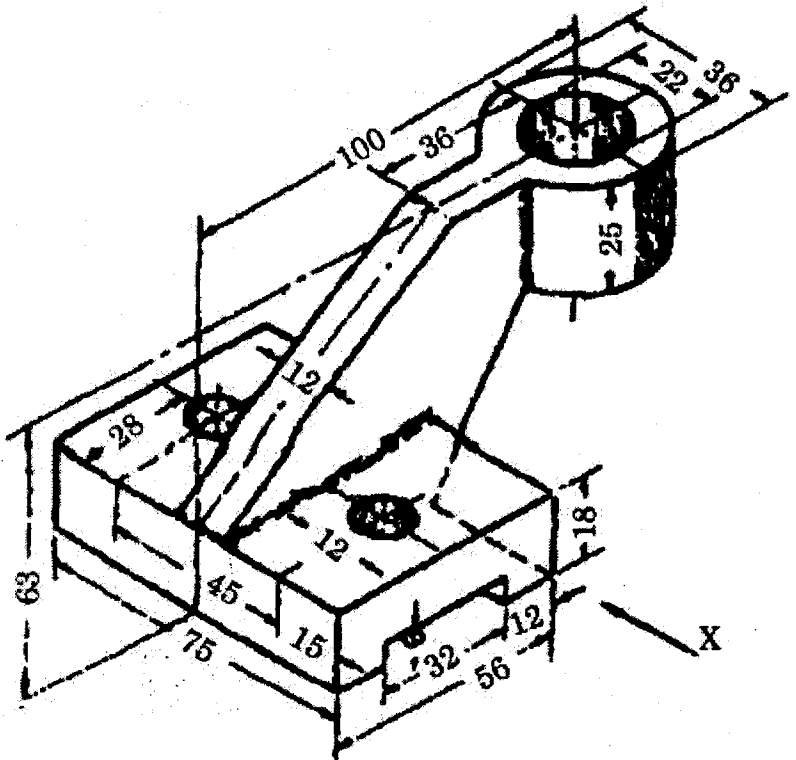


Figure 1

5. Sketch single rivetted butt joint (chain type) front view full in section and in top view.

14

6. Figure 2 shows Elevation and Plan of the object.
Draw the isometric view of the object.

14

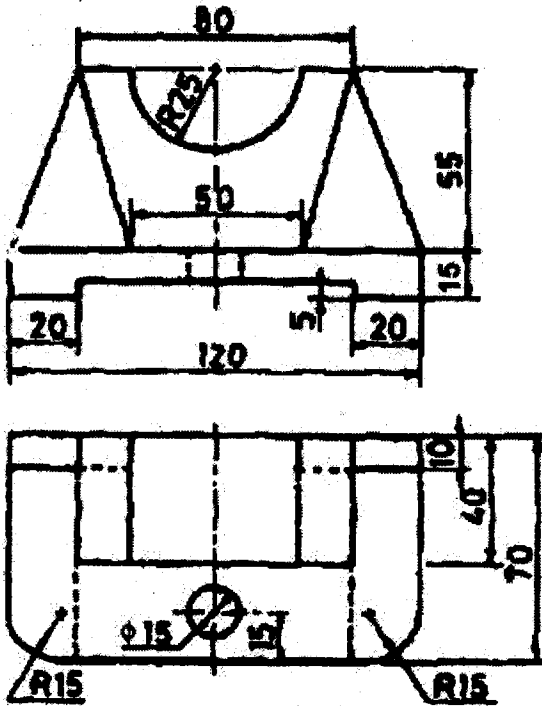


Figure 2

7. Draw the projections of a pentagonal prism, base 25 mm side and axis 50 mm long, resting on one of its rectangular faces on the ground, with the axis inclined at 45° to the V.P. (Vertical Plane)
8. Draw two branches of a hyperbola, with the distance between their foci as 60 mm and vertices as 35 mm. Also draw the asymptotes and measure the angle between them.

14

14