

No. of Printed Pages : 3

**BME-034**

**DIPLOMA IN MECHANICAL ENGINEERING (DME)  
/ADVANCED LEVEL CERTIFICATE COURSE IN  
MECHANICAL ENGINEERING  
(DMEVI/ACMEVI)**

**Term-End Examination, 2019****BME-034 : MACHINE DRAWING****Time : 2 Hours]****[Maximum Marks : 70**

---

**Note :** Answer **all** questions. Use of calculator is allowed.  
Assume missing data if any.

---

---

1. Answer **any seven** of the following : [7x2=14]
- (a) Draw a stud
  - (b) Draw conventional representation of leaf spring with eyes.
  - (c) Draw material symbols of steel and wood.
  - (d) Sketch two types of keys.
  - (e) Draw any three types of thread profiles.
  - (f) Draw a bolt, nut and washer of suitable dimensions.

- (g) Differentiate between I<sup>st</sup> (First angle) angle project and III<sup>rd</sup> (Third angle) projection.
- (h) Draw the snap head rivet and counter shunk rivet head.
- (i) Sketch a round key on a shaft.
2. Figure 1 below shows the isometric view of an object. Draw the front view and Top view of the given diagram.

[14+14=28]

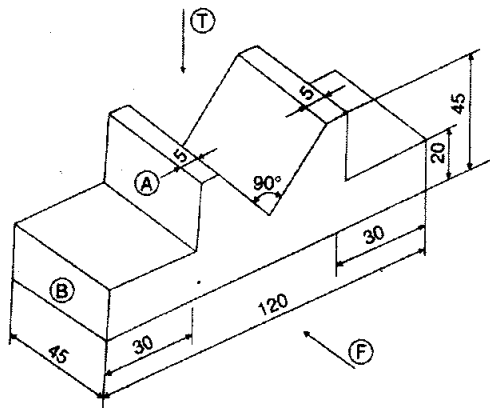


Figure - 1

3. Draw top view and front side view of a hexagonal nut for bolt of 24 mm. diameter. [14+14=28]

OR

Draw the front view and right hand side view of cross head shown detail in figure - 2 (assembled view)

[14+14=28]

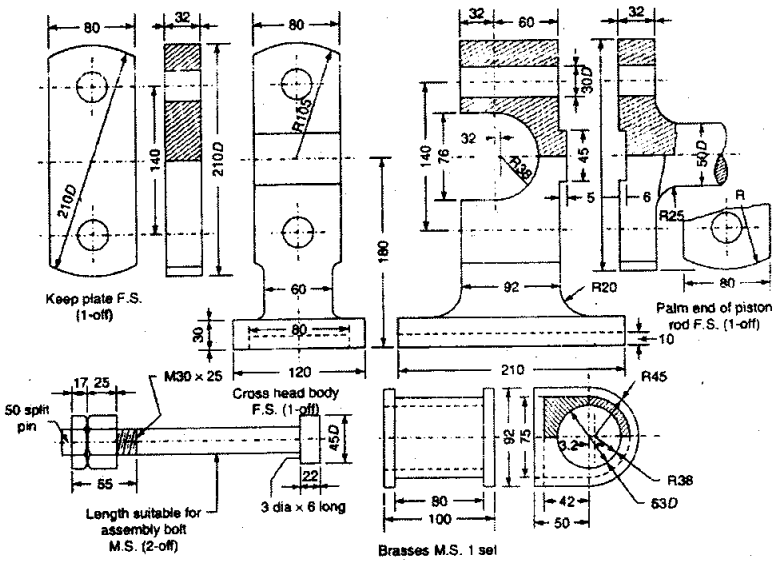


Figure - 2

----- X -----