

BACHELOR OF ARCHITECTURE (B.Arch.)

Term-End Examination

June, 2018

00193

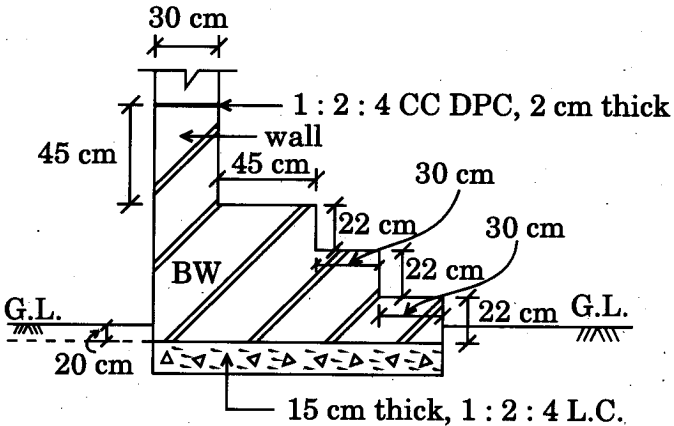
BAR-053 : ESTIMATING AND COSTING

Time : 3 hours

Maximum Marks : 70

Note : Attempt any five questions. All questions carry equal marks.

1.



SECTION THROUGH STEPS

Figure 1

Estimate the following for the above section :

- (a) Earthwork in excavation for the steps and the associated wall and L.C. foundation if the length of the steps is 2.25 m. 3
- (b) 1 : 2 : 4 L.C. under the steps and the associated wall. 2

- (c) Brickwork (BW) in wall up to the top of the steps. 3
- (d) Stepwise Brickwork (BW) in steps. 4
- (e) DPC with the given specifications if the length of the wall is 10.2 m. 2
- 2. Analyse the rates of the following items :**
- (a) Second class BW in superstructure in first floor (choose your mortar specification). 4
- (b) 1 : 2 : 4 R.C.C. roof slab. 3
- (c) Earthwork excavation in hard rock including all associated lead and lift. 4
- (d) 1st coat white-washing of a compound wall. 3
- 3. Give the units of measurement for the following items of work, explaining why these units are adopted :**
- (a) R.C.C. coping (2.5 cm thick) on a boundary wall 1
- (b) Earthwork in filling, explaining what parts of work does it cover 2
- (c) Floor and wall tiling, explaining why the rates of payment for these differ from each other 2
- (d) Painting, explaining what parts of the work are included in it 2
- (e) Fixing door and window frames (chowkhats) 1
- (f) Fixing hold fasts 1
- (g) Coal tarring the roof slab 1

- (h) Marble flooring 1
- (i) Formwork for R.C.C. work 1
- (j) Metal shutter for a garage, explaining the parts of work it covers 2
4. You are asked to visit a given site where a school and a village dispensary are proposed to be constructed. Write out a technical report for submission to the concerned authorities. 14
5. (a) Draw out a standard proforma for a Muster roll. Also, write out a specimen of progress report to be written on it. Where do you write this report on the Muster roll? 7
- (b) Explain how do you fill out a measurement book, giving a specimen. 7
6. Discuss the following :
- (a) Work-charged establishment 2
- (b) Contractor's profit 3
- (c) Tender Documents 6
- (d) Prequalification 3
7. Write the typical specifications for the following :
- (a) Earthwork in filling 6
- (b) Curing of R.C.C. work 3
- (c) 1st class brickwork in superstructure 5

8. Write short notes on any *four* of the following : $4 \times 3 \frac{1}{2} = 14$

- (a) Technical and Financial Sanctions
 - (b) Indent of Stores
 - (c) Payment on Account
 - (d) Imprest
 - (e) Security Deposit
 - (f) Earnest Money Deposit
-