

**BACHELOR OF COMPUTER APPLICATIONS (Pre-revised)
(BCA)**

Term-End Practical Examination

June, 2018

00357

CS-68(P)/S3 : COMPUTER NETWORKS

Time : 1 Hour

Maximum Marks : 30

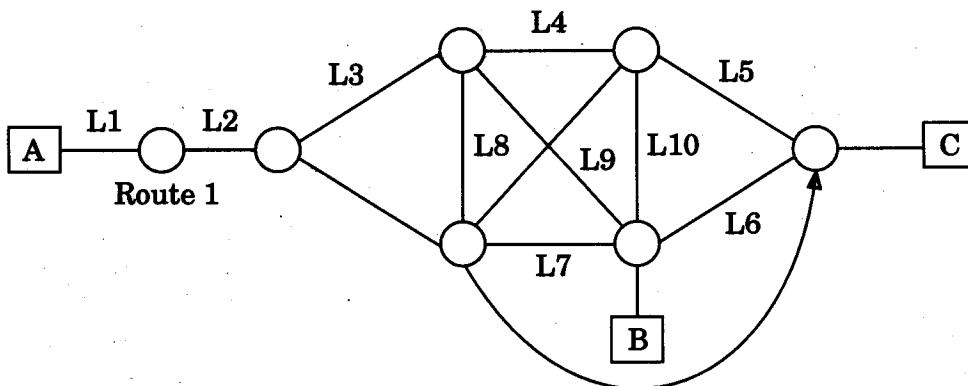
(Weightage : 15%)

Note : (i) All questions are **compulsory**, carrying 20 marks.

(ii) The rest 10 marks are for *viva-voce*.

1. A typical WAN is shown below :

5



Show all the links between

- (a) A and C
- (b) A and B

2. List the hardware components which have been used for the networking of your program centre and write all the specifications.

15