

00161

No. of Printed Pages : 3

BAS-005

**B.Tech. AEROSPACE ENGINEERING
(BTAE)**

Term-End Examination

December, 2015

BAS-005 : ENGINEERING DRAWING

Time : 3 hours

Maximum Marks : 70

Note : Attempt any five questions. All questions carry equal marks.

1. A line AB 75 mm long has one of its ends 50 mm in front of V.P. and 15 mm above H.P. The top view of the line is 50 mm long. The other end of the line is 15 mm in front of V.P. and is above H.P. Draw the views and determine the true inclinations. 14

2. A hollow cylinder 60 mm outside diameter, 30 mm inside diameter and 80 mm long has its axis parallel to V.P. and inclined 30° to the vertical. It is cut by a horizontal plane passing through middle of the axis. Draw the sectional top view. 14

3. A right regular pentagonal pyramid, side of base 20 mm and height 45 mm, rests on a corner of its base on H.P., such that its axis is inclined at 45° to the H.P. and is parallel to the V.P. Draw its projections.

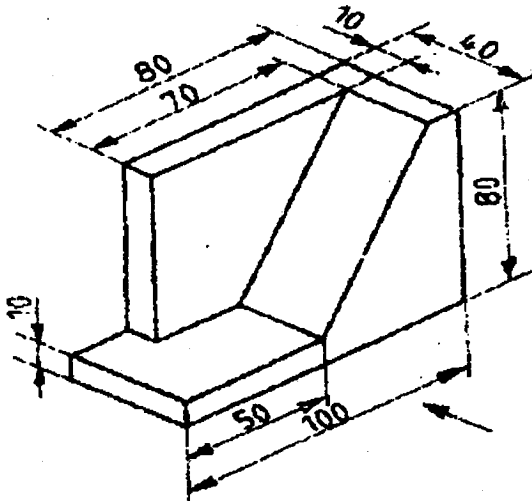
14

4. Two fixed points (F, F) are 120 mm apart. Trace the locus of a point moving in such a manner that the difference of its distances from the fixed points (F, F) is 80 mm. Draw the curve and also draw its asymptotes.

14

5. Figure 1 shows a certain machine block. Draw a front and top view.

14



(All dimension are in mm)

Figure 1

6. Sketch the following (assume suitable nominal dimensions) :

- | | |
|-------------------|---|
| (a) Hexagonal nut | 6 |
| (b) Square nut | 4 |
| (c) Flanged nut | 4 |

Show isometric view along with elevation, side view and top view.
